



39 Souhegan Street - P.O. Box 269, Wilton, New Hampshire 03086

TEL (603) 654-2002 FAX (603) 654-2533

email: sales@shp-seals.com - website: www.shp-seals.com

**HERMETIC
SUBMINIATURE D CONNECTORS**

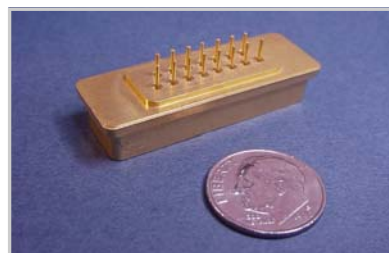
PATENTED
Canada Patent No. 1,318,371

**ALUMINUM COMPATIBLE
SOLDERABLE AND WELDABLE
Interface per MIL-C-24308A**

These aluminum compatible connectors are designed with a unique construction for the assurance of reliable hermetic performance in rigorous thermal cyclic environments. These

| | |
|----------------------------|---|
| SPECIFICATION | SOLDERABLE & WELDABLE |
| TEMPERATURE | -65°C to +200°C |
| DWV (Pin to Ground) | 500 Vdc @ S.L. |
| CONTACT RATING | 5 Amps |
| LEAK RATE | Less than 1 X 10 ⁻⁸ cc/sec at 1 ATM He |
| MECHANICAL | Interface per MIL-C-24308A |
| CONTACT MATERIAL | Steel |
| CONTACT PLATING | 50 microinches minimum GOLD per MIL-C-45204 Type III, Grade A over 300-400 microinches NICKEL per MIL-C-26074 |
| CONTACT DIAMETER | .040 inches |
| THREADED INSERT | Stainless Steel |

connectors provide for low strain between the connector body and the aluminum housing to which they are attached assuring a long, reliable cyclic life for the assembly solder or weld joint.



| HOUSING APPLICATION | ATTACHMENT METHOD | PART NUMBER | PIN CONFIG | CONNECTOR BODY MATERIAL | SHELL FINISH (2) |
|---------------------|-------------------|---------------------|---------------|-------------------------|------------------|
| ALUMINUM | Laser Weld | HSMHE-1WD-xP-SSC-C1 | 9, 15, 25, 37 | 4047 | CHROMATE |
| | Solder | HSMHE-1SD-xP-SSC-G1 | | 6061 | GOLD |

Part Number

Example Part No: HSMHE-1WD-9P-SSC-G1

SERIES

CONFIGURATION

- 1SD - Standard Solderable
- 1WD - Standard Laser Weldable

PIN CONFIGURATION

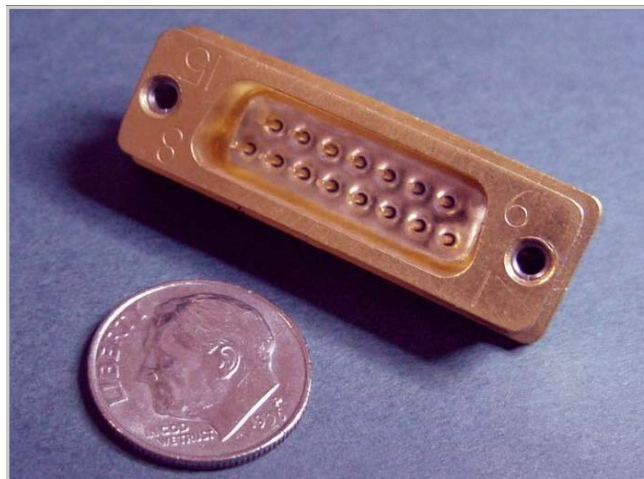
9, 15, 25, 37

TERMINATION CONFIGURATION

SSC - Standard Straight Cut

PLATING CODE

- G1 - Gold
- C1 - Chromate





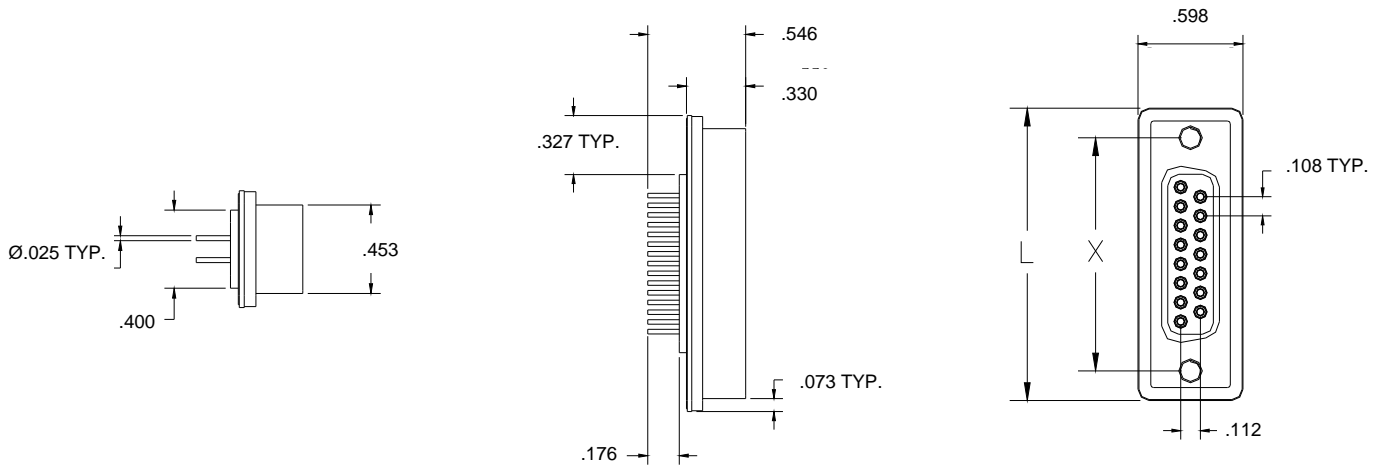
39 Souhegan Street - P.O. Box 269, Wilton, New Hampshire 03086

TEL (603) 654-2002 FAX (603) 654-2533

email: sales@shp-seals.com - website: www.shp-seals.com

**HERMETIC
SUBMINIATURE D CONNECTORS**

SOLDERABLE



| OTHER DIMENSIONS | | |
|------------------|-------|-------|
| PINS | X | L |
| 9 | .984 | 1.320 |
| 15 | 1.312 | 1.645 |
| 25 | 1.852 | 2.185 |
| 37 | 2.500 | 2.833 |

All dimensions are in inches.



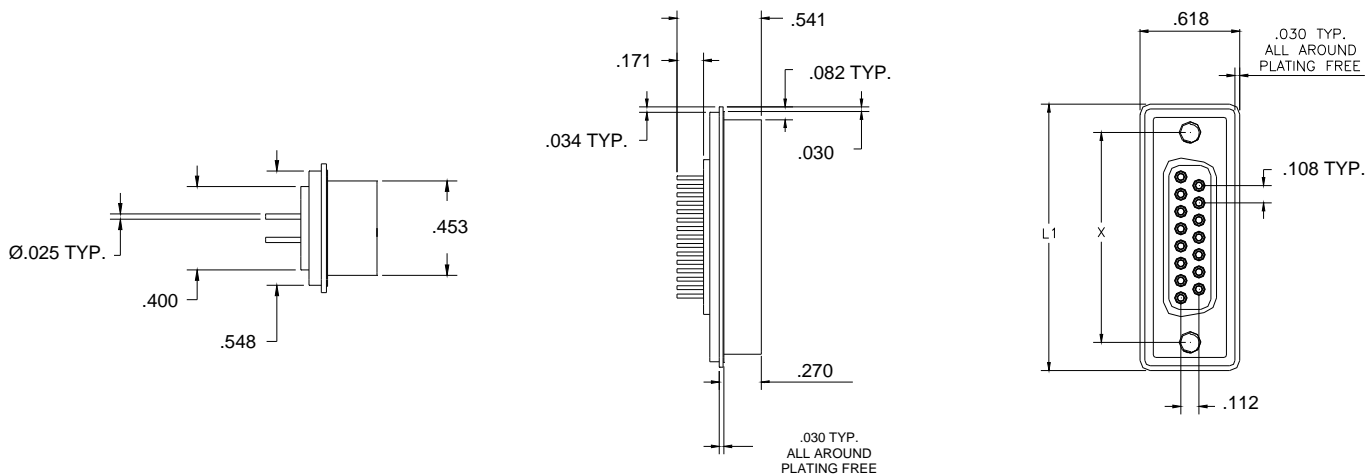
39 Souhegan Street - P.O. Box 269, Wilton, New Hampshire 03086

TEL (603) 654-2002 FAX (603) 654-2533

email: sales@shp-seals.com - website: www.shp-seals.com

**HERMETIC
SUBMINIATURE D CONNECTORS**

LASER WELDABLE



| OTHER DIMENSIONS | | |
|------------------|-------|-------|
| PINS | X | L |
| 9 | .984 | 1.340 |
| 15 | 1.312 | 1.665 |
| 25 | 1.852 | 2.205 |
| 37 | 2.500 | 2.853 |

All dimensions are in inches.